

The City School

North Nazimabad Boys Campus

Grade 7

Mathematics

Teacher: Ms. Hira Asad

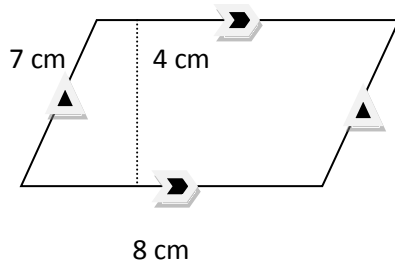
Topic: Area and Perimeter

Name: _____ Section: _____ Date: _____

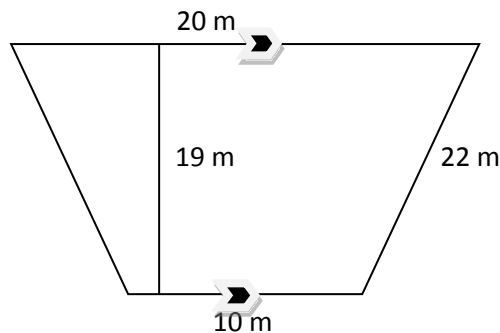
1. Find the area and perimeter of a circle with diameter 8 cm.

2. Calculate the area of each of these shapes.

a.



b.



3. Calculate the height of a parallelogram whose Area is 63 cm^2 and base is 9 cm.

4. A trapezium has an Area of 450 cm^2 . Its height is 25 cm and Parallel line 1 is 24 cm. Calculate the length of second parallel line.

5. Calculate the base of a triangle whose Area is 60 cm^2 and height is 10 cm.
